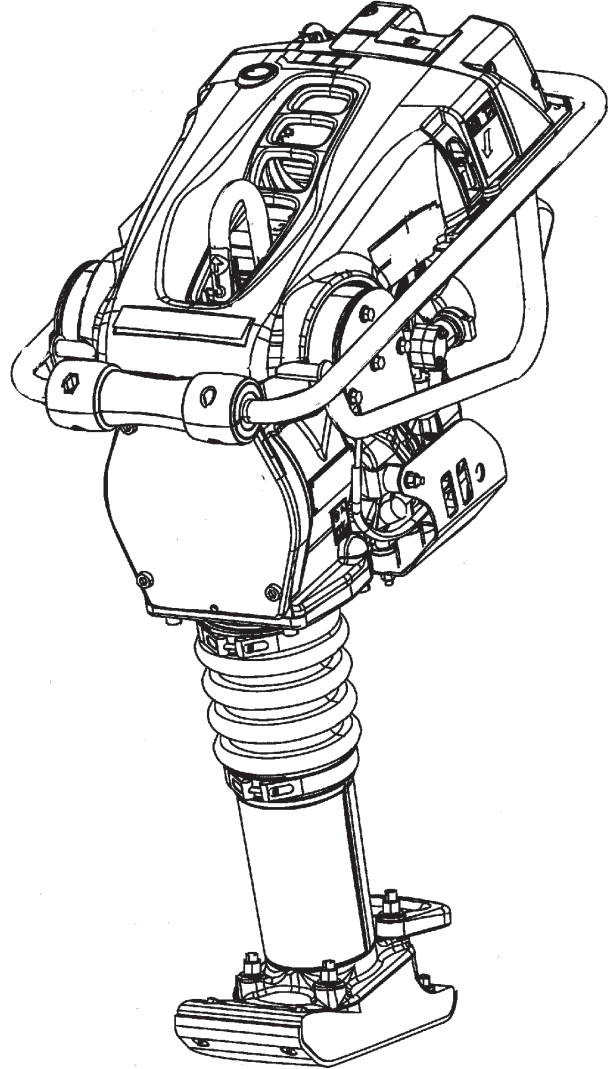


Spare parts list

Rammer

	Valid from serial number
LT 5004 150 mm (6 in.)	75101862
LT 5004 230 mm (9 in.)	75101862
LT 5004 150 mm (6 in.)	BGF0000001
LT 5004 230 mm (9 in.)	BGF0000001



Contents

General information	5
Spare parts list	6
Handle.....	6
Transmission.....	8
Spring unit.....	10
Foot 150 mm (6 in.).....	12
Foot 230 mm (9 in.).....	14
Extended foot.....	16
Engine installation.....	18
Air filter installation.....	20
Fuel tank.....	22
Fuel system.....	26
Labels.....	28
Kits	30
One year service kit.....	30
Shock absorber repair kit.....	30
Transmission repair kit.....	30
Spring unit repair kit.....	31
Extended foot kit.....	32
Foot 150 mm (6 in.) repair kit.....	33
Foot 230 mm (9 in.) repair kit.....	33

General information

This spare parts list applies to the following:

Part number	Description
3382 0000 05	Rammer LT 5004 150 mm (6 in.)
3382 0000 04	Rammer LT 5004 230 mm (9 in.)

Use only authorized parts. Any damage or malfunction caused by the use of unauthorized parts is not covered by Warranty or Product Liability. Any unauthorized use or copying of the contents or any part thereof is prohibited. This applies in particular to trademarks, model denominations, part numbers, and drawings.

Instructions for use

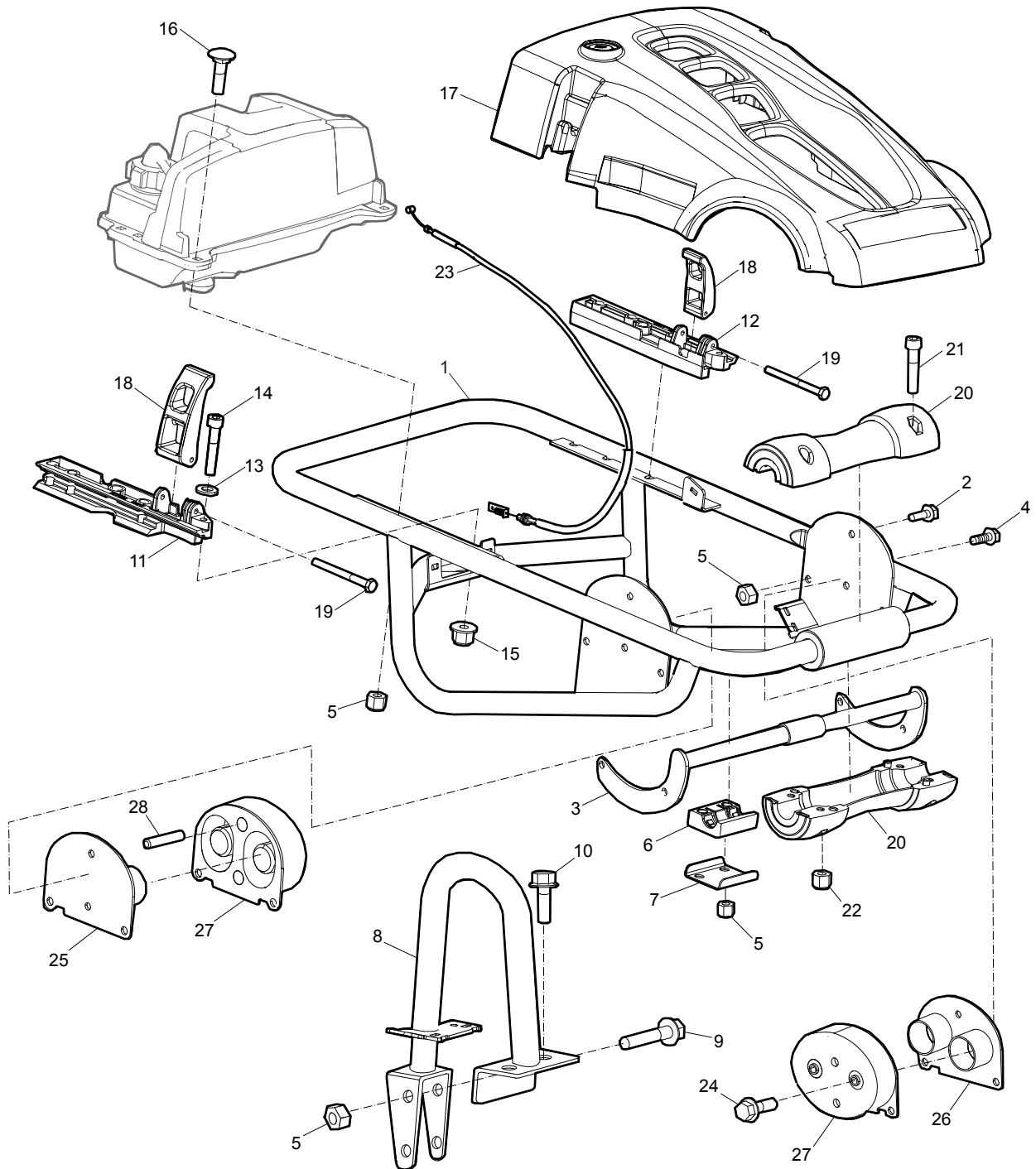
This spare parts list contains no safety regulations and is merely intended to assist in the ordering of spare parts.

For information about operating, servicing, or repairing, the relevant Safety and operating instructions must be consulted at all costs.

Please observe the safety instructions listed in the relevant Safety and operating instructions!

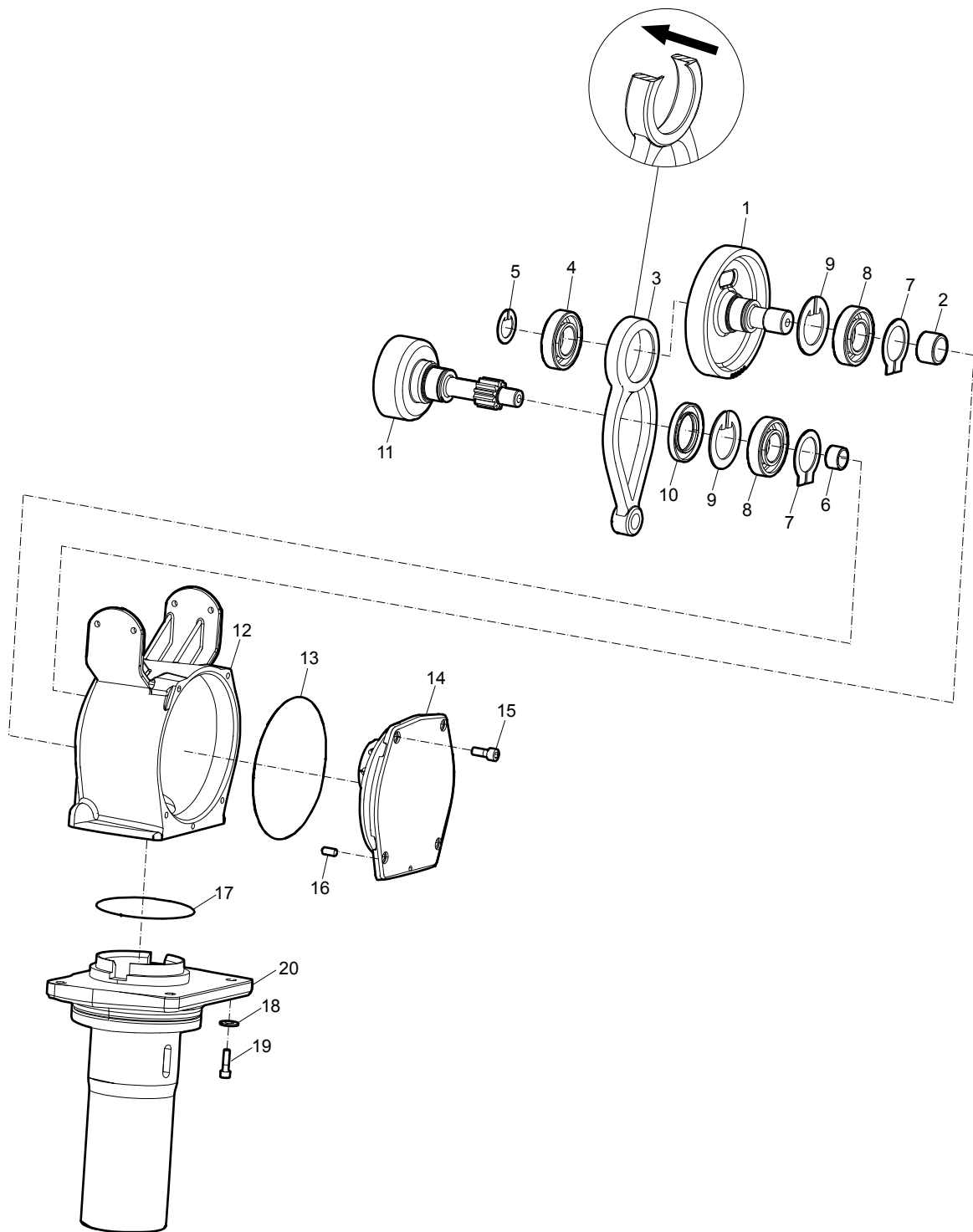
Spare parts list

Handle



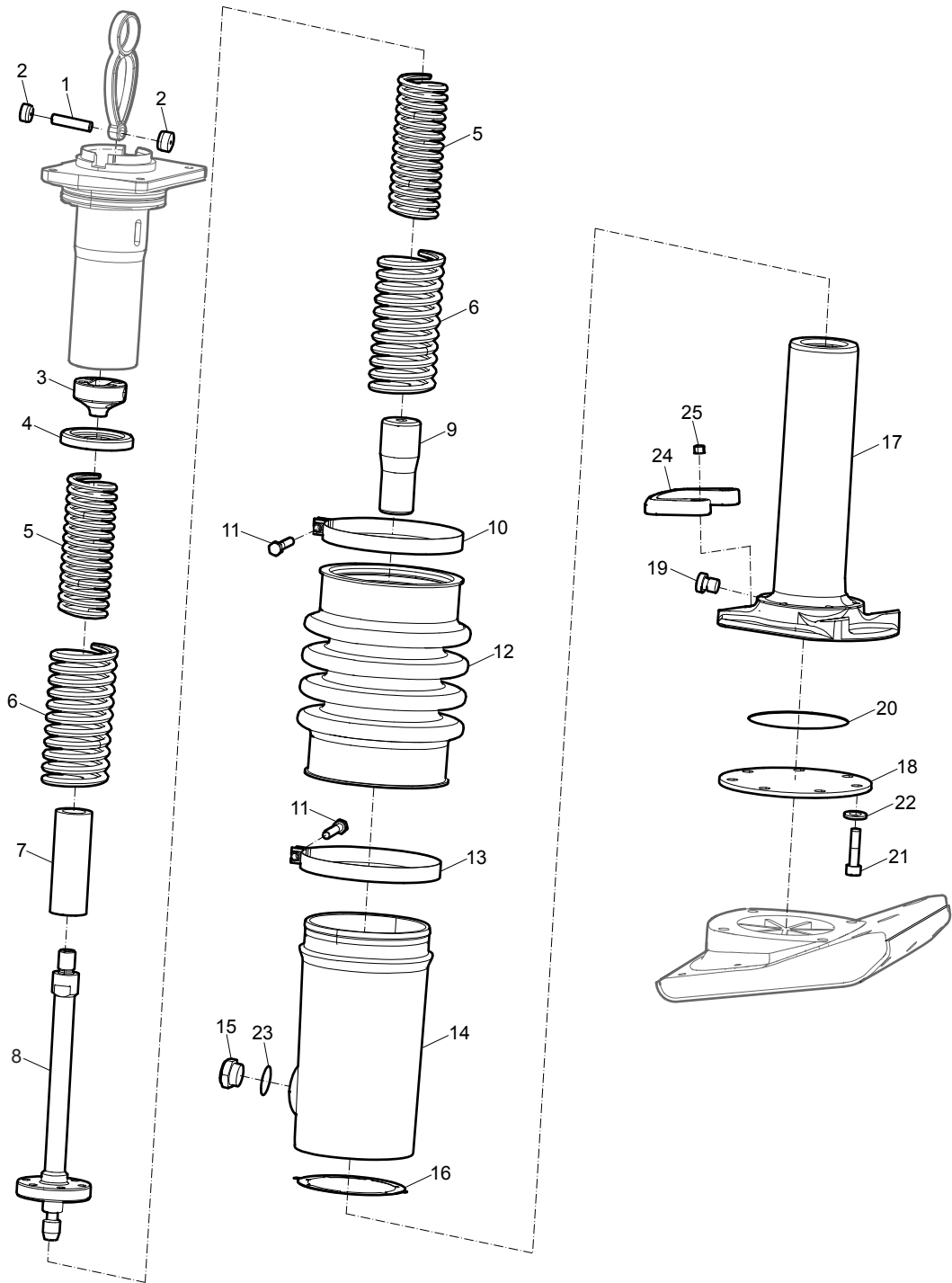
No.	Description	Remark	Quantity	Part number
1	Handle		1	3382 0100 33
2	Screw	M8 x 20 mm 8.8	4	-
3	Bracket		1	3382 0102 12
4	Screw	M8 x 25 mm 8.8	4	-
5	Nut	M8 x 1.25 mm	16	-
6	Bracket		2	-
7	Plate		2	4700 3849 42
8	Lifting lug		1	3382 0110 76
9	Screw	M8 x 45 mm 8.8	2	-
10	Screw	M10 x 30 mm 8.8	2	-
11	Spacer	Right	1	4700 3778 88
12	Spacer	Left	1	4700 3778 87
13	Washer	6.4 x 12 x 1.5 mm 0.25 x 0.47 x 0.06 in. 300 HV	2	-
14	Screw	M6 x 35 mm 8.8	2	-
15	Nut	M6	2	-
16	Screw	M8 x 50 mm	6	-
17	Hood		1	3382 0100 35
18	Hood lock		2	4700 3792 33
19	Screw	M10 x 100 mm 8.8	2	-
20	Roller		2	4700 3844 96
21	Screw	M6 x 30 mm 8.8	4	-
22	Nut	M6	4	-
23	Throttle cable		1	4700 3775 78
24	Screw	M8 x 30 mm 8.8	4	-
25	Angle stop	Right	1	4700 3867 87
26	Angle stop	Left	1	4700 3867 86
27	Shock absorber		2	4700 3867 85
28	Cylindrical pin		4	4700 7913 23

Transmission



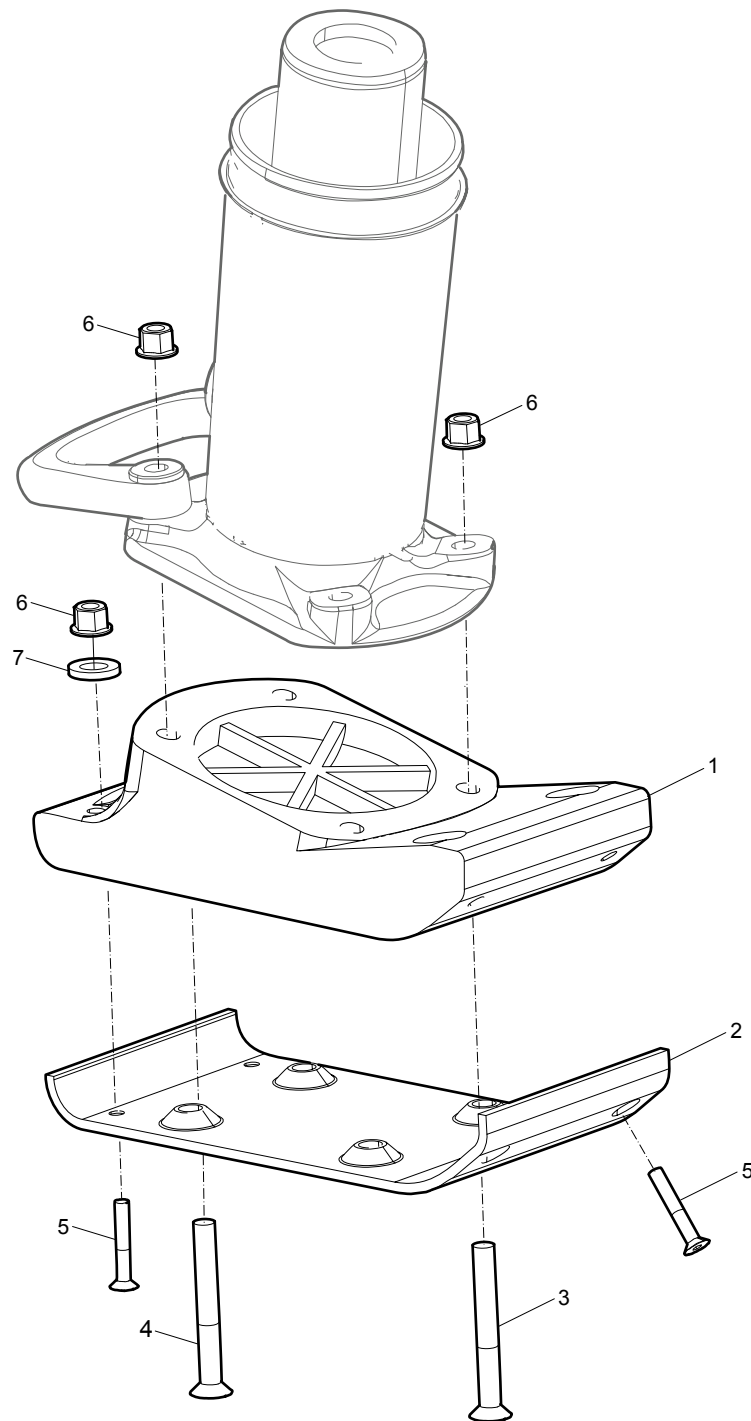
No.	Description	Remark	Quantity	Part number
1	Gear wheel		1	4700 3809 06
2	Needle bearing		1	4700 9049 50
3	Connecting rod		1	4700 3809 20
4	Ball bearing		1	4700 1110 78
5	Retaining ring		1	4700 1500 09
6	Needle bearing		1	4700 9049 49
7	Retaining ring		2	4700 1500 14
8	Bearing		2	4700 9035 20
9	Retaining ring		2	4700 1510 25
10	Sealing		1	4700 9049 52
11	Shaft		1	4700 3814 77
12	Crankcase		1	4700 3884 03
13	O-ring	210 x 3 mm 8.27 x 0.12 in. (70 shore)	1	4700 1601 06
14	Cover		1	4700 3773 32
15	Screw	M10 x 25 mm 8.8	4	-
16	Pin		1	4700 6280 06
17	O-ring	104.5 x 3 mm 4.11 x 0.12 in. (70 shore)	1	4700 1600 35
18	Washer	10.5 x 22 x 2 mm 0.41 x 0.87 x 0.08 in. 300 HV	4	-
19	Screw	M10 x 35 mm 8.8	4	-
20	Outer tube		1	4700 3954 79

Spring unit



No.	Description	Remark	Quantity	Part number
1	Piston bolt		1	4700 3814 79
2	Plug		2	4700 3850 87
3	Piston head		1	4700 3850 63
4	Cover		1	4700 3849 84
5	Spring	51.3 x 200 mm 2.02 x 7.87 in.	2	4700 3850 62
6	Spring	68.5 x 200 mm 2.67 x 7.87 in.	2	4700 3850 61
7	Stop		1	4700 3850 86
8	Piston rod		1	4700 3850 64
9	Stop		1	4700 3850 85
10	Hose clamp		1	4700 3966 77
11	Screw	M6 x 35 mm 8.8 A2K	4	-
12	Bellow		1	4812 0705 40
13	Hose clamp		1	4700 3966 76
14	Bellow support		1	4700 3849 55
15	Sight plug		1	4700 7913 95
16	Gasket		1	4700 3851 68
17	Inner tube		1	4700 3849 56
18	Cover		1	4700 3850 84
19	Plug	M12 x 1.5 mm	1	4700 9049 51
20	O-ring	119.5 x 3 mm 4.70 x 0.12 in. (70 shore)	1	4700 1600 38
21	Screw	M8 x 50 mm 8.8	6	-
22	Seal ring		6	4700 1620 09
23	Fiber washer	27 x 32 x 2 mm 1.06 x 1.26 x 0.08 in.	1	4700 7913 76
24	Grab handle		1	4700 3851 64
25	Nut	M12 x 1.75 mm	2	-

Foot 150 mm (6 in.)

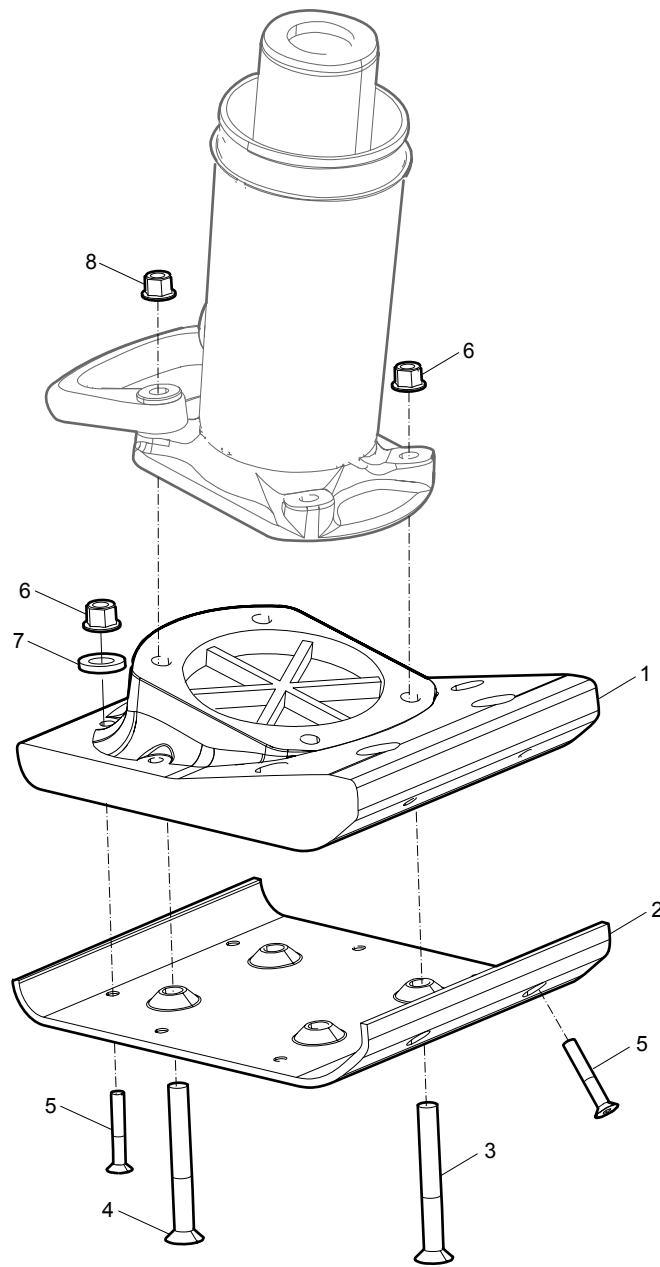


No.	Description	Remark	Quantity	Part number
1	Foot	150 mm 6 in.	1	4700 3850 88
2	Ground plate	150 mm 6 in.	1	4700 3850 91
3	Screw	M12 x 100 mm 10.9 GEOMET®	2	4700 7910 85
4	Screw	M12 x 150 mm 10.9 GEOMET®	2	4700 7913 39
5	Screw	M8 x 50 mm 8.8 NYLOK BLUE PATCH™ (Known as TUF-LOK® in Europe)	4	4700 7913 31
6	Nut	M12 x 1.75 mm	8	-
7	Washer	8.4 x 22 x 3 mm 0.33 x 0.87 x 0.12 in. HV300	8	-

GEOMET is a registered trademark of Nof Metal Coatings North America Inc.

NYLOK BLUE PATCH is a trademark of Nylok Corporation. TUF-LOK® is a registered trademark of Nylok Corporation in Europe.

Foot 230 mm (9 in.)

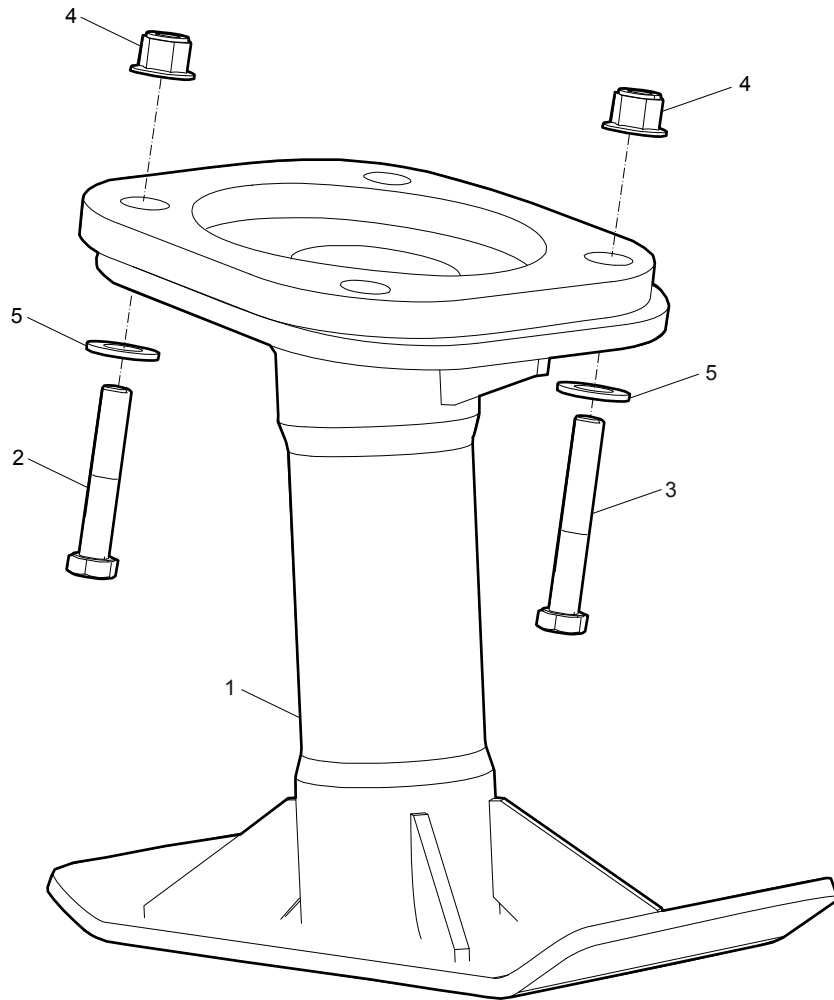


No.	Description	Remark	Quantity	Part number
1	Foot	230 mm 9 in.	1	4700 3851 65
2	Ground plate	230 mm 9 in.	1	4700 3851 66
3	Screw	M12 x 100 mm 10.9 GEOMET®	2	4700 7910 85
4	Screw	M12 x 150 10.9 mm GEOMET®	2	4700 7913 39
5	Screw	M8 x 50 mm 8.8 NYLOK BLUE PATCH™ (Known as TUF-LOK® in Europe)	8	4700 7913 31
6	Nut	M8 x 1.25 mm	8	-
7	Washer	8.4 x 22 x 3 mm 0.33 x 0.87 x 0.12 in. HV300	7	-
8	Nut	M12 x 1.75 mm	4	-

NYLOK BLUE PATCH is a trademark of Nylok Corporation. TUF-LOK is a registered trademark of Nylok Corporation in Europe.

GEOMET is a registered trademark of Nof Metal Coatings North America Inc.

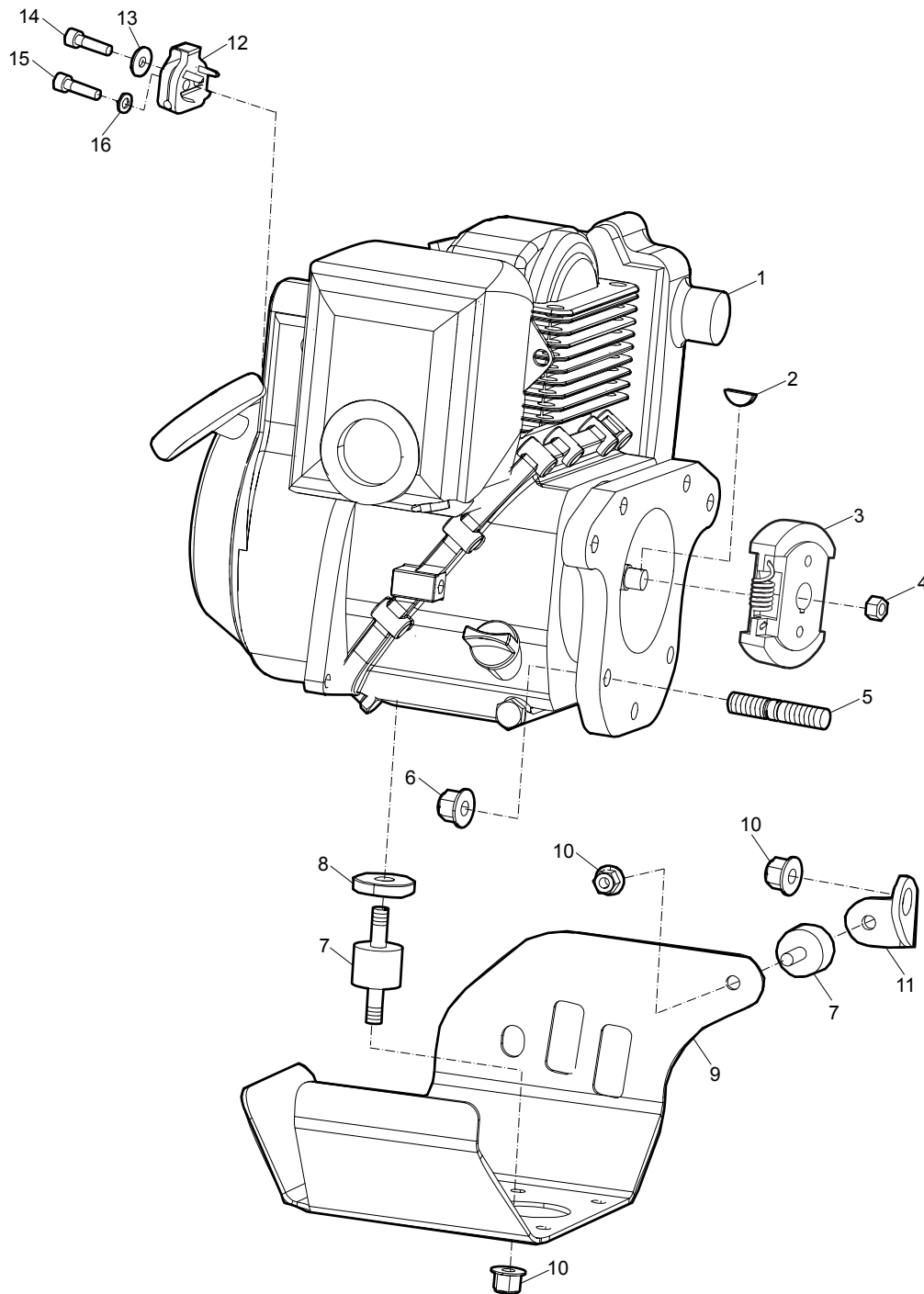
Extended foot



No.	Description	Remark	Quantity	Part number
1	Extended foot		1	4700 3899 79
2	Screw	M12 x 70 mm 10.9 GEOMET®	2	4700 9037 35
3	Screw	M12 x 90 mm 10.9 GEOMET®	2	4700 9281 98
4	Nut	M12 x 1.75 mm	4	-
5	Washer	3 x 24 x 2 mm 0.51 x 0.98 x 0.08 in. 300 HV	4	-

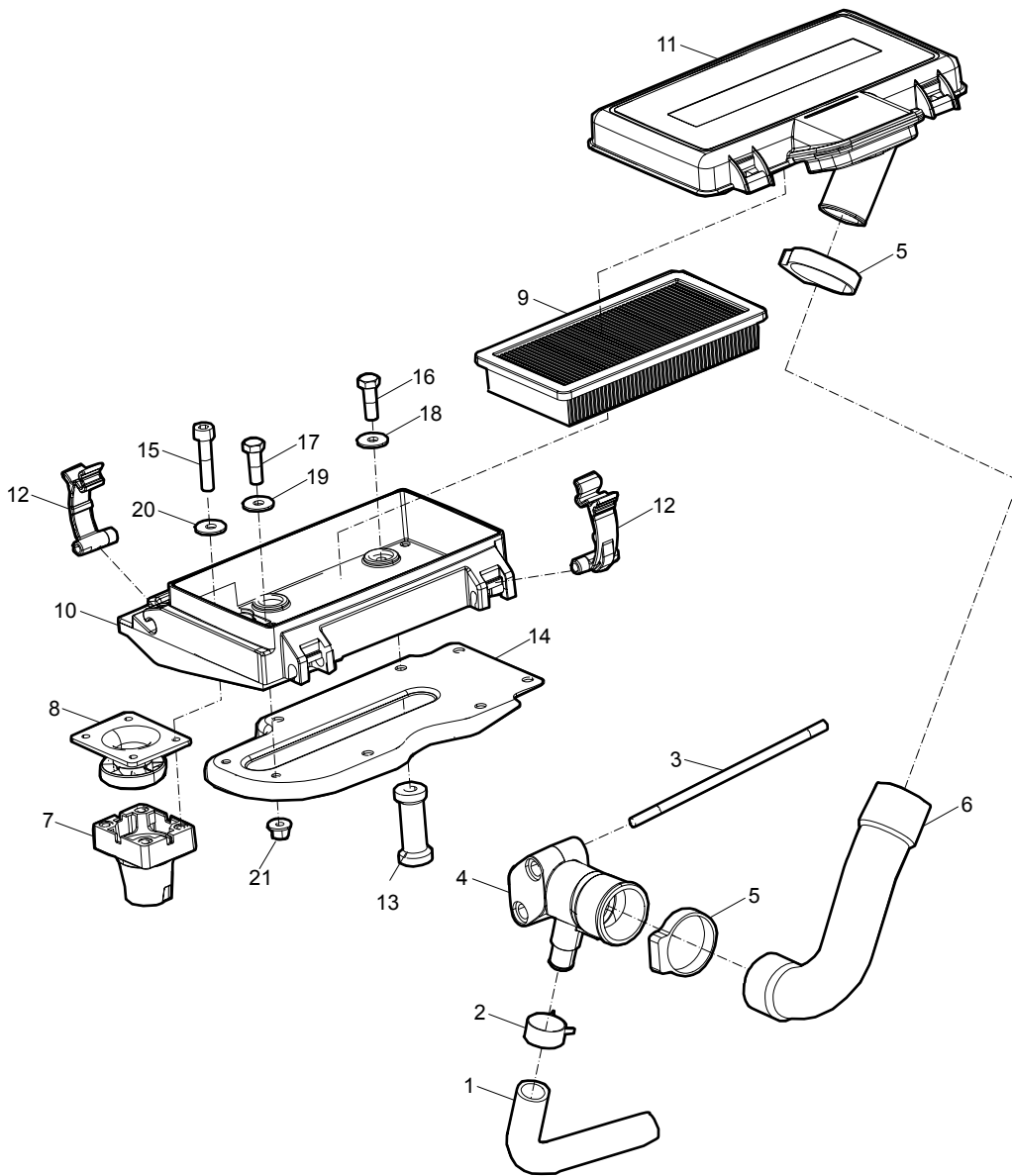
GEOMET is a registered trademark of Nof Metal Coatings North America Inc.

Engine installation



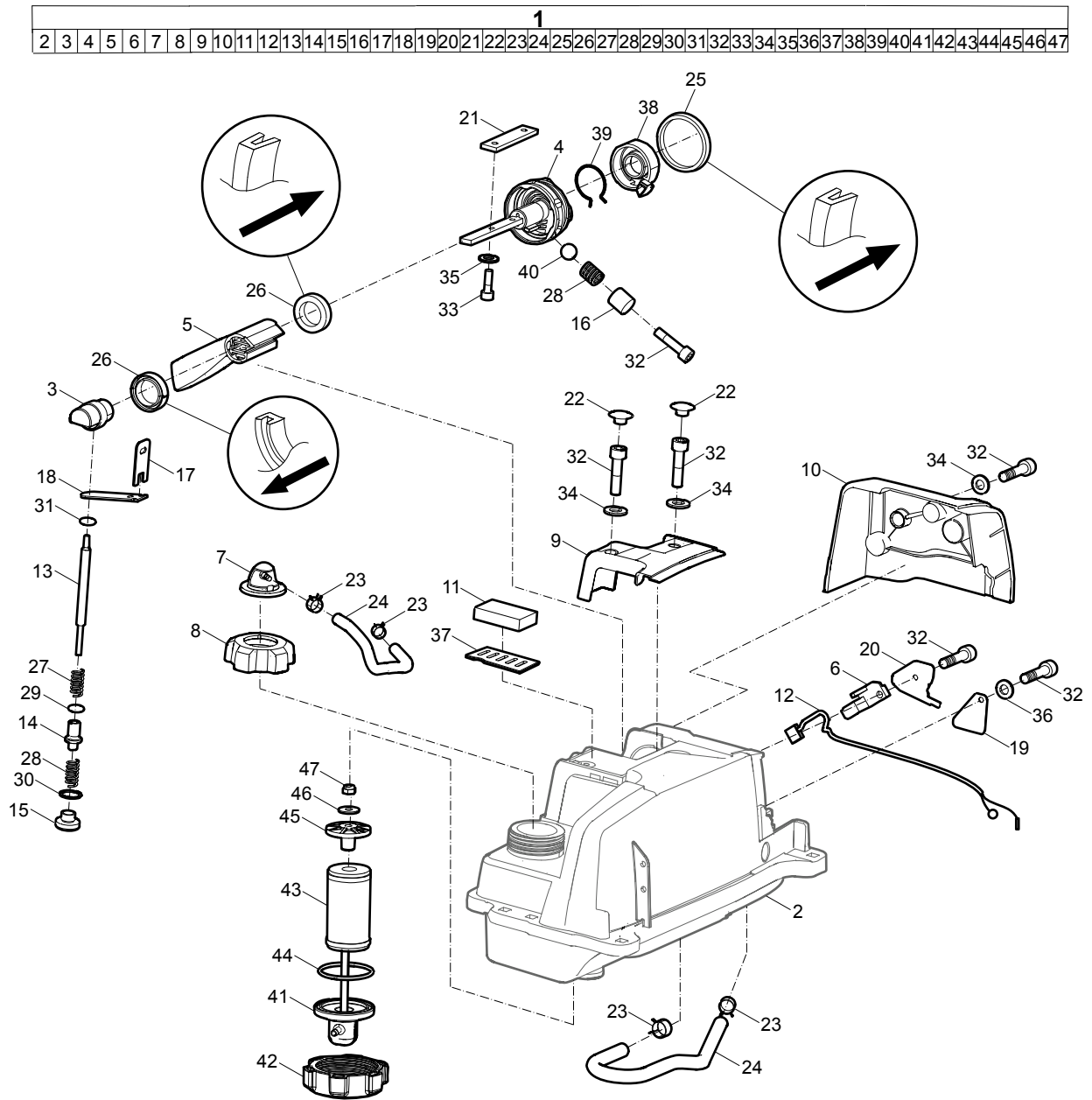
No.	Description	Remark	Quantity	Part number
1	Engine	Honda GX100U KRDA	1	4812 0702 00
2	Key		1	4700 3849 92
3	Centrifugal clutch, complete		1	3382 0108 62
4	Nut	M12 x 1.25 mm A3K	1	-
5	Stud	M10 x 47 mm	4	4700 3845 17
6	Nut	M10	4	-
7	Shock absorber		5	4700 7925 31
8	Washer	8.4 x 25 x 2 mm 0.33 x 0.98 x 0.12 in.	4	4700 6030 09
9	Engine stay		1	3382 0100 32
10	Nut	M8 x 1.25 mm A2K	7	-
11			1	4812 0700 86
12	Cable holder		1	4700 3873 92
13	Washer	8.4 x 25 x 2 mm 0.33 x 0.98 x 0.08 in.	1	-
14	Screw	M5 x 20 mm 8.8 A2K	1	-
15	Screw	M5 x 16 mm 8.8 A2K	1	-
16	Washer	5.3 x 10 x 1 mm 0.21 x 0.39 x 0.04 in. 300 HV	1	-

Air filter installation



No.	Description	Remark	Quantity	Part number
1	Hose		1	4700 3794 90
2	Hose clamp	18.6 x 8 mm 0.73 x 0.31 in. 300 HV	1	4700 7922 69
3	Stud		2	4700 9455 54
4	Hose connection		1	4700 3793 33
5	Hose clamp	35 x 8 mm 1.38 x 0.31 in. 300 HV	2	4700 7922 78
6	Hose		1	4700 3794 89
7	Cyclone housing		1	4700 3771 80
8	Cyclone		1	4700 3771 79
9	Air filter		1	4700 3773 28
10	Air filter housing		1	4700 3768 53
11	Cover		1	4700 3771 84
12	Clips		2	4700 3774 24
13	Spacer		4	4700 3936 18
14	Bracket		1	4700 3780 32
15	Screw	M5 x 25 mm 8.8 A2K	4	-
16	Screw	M6 x 60 mm 8.8 A2K	4	-
17	Screw	M5 x 16 mm 8.8 A2K	2	-
18	Washer	6.4 x 12 x 1.5 mm 0.25 x 0.47 x 0.06 in. 300 HV	4	-
19	Washer	5.3 x 10 x 1 mm 0.21 x 0.39 x 0.04 in. 300 HV	2	-
20	Washer	8.4 x 25 x 2 mm 0.33 x 0.98 x 0.08 in.	4	-
21	Nut	M5 A2K	2	-

Fuel tank

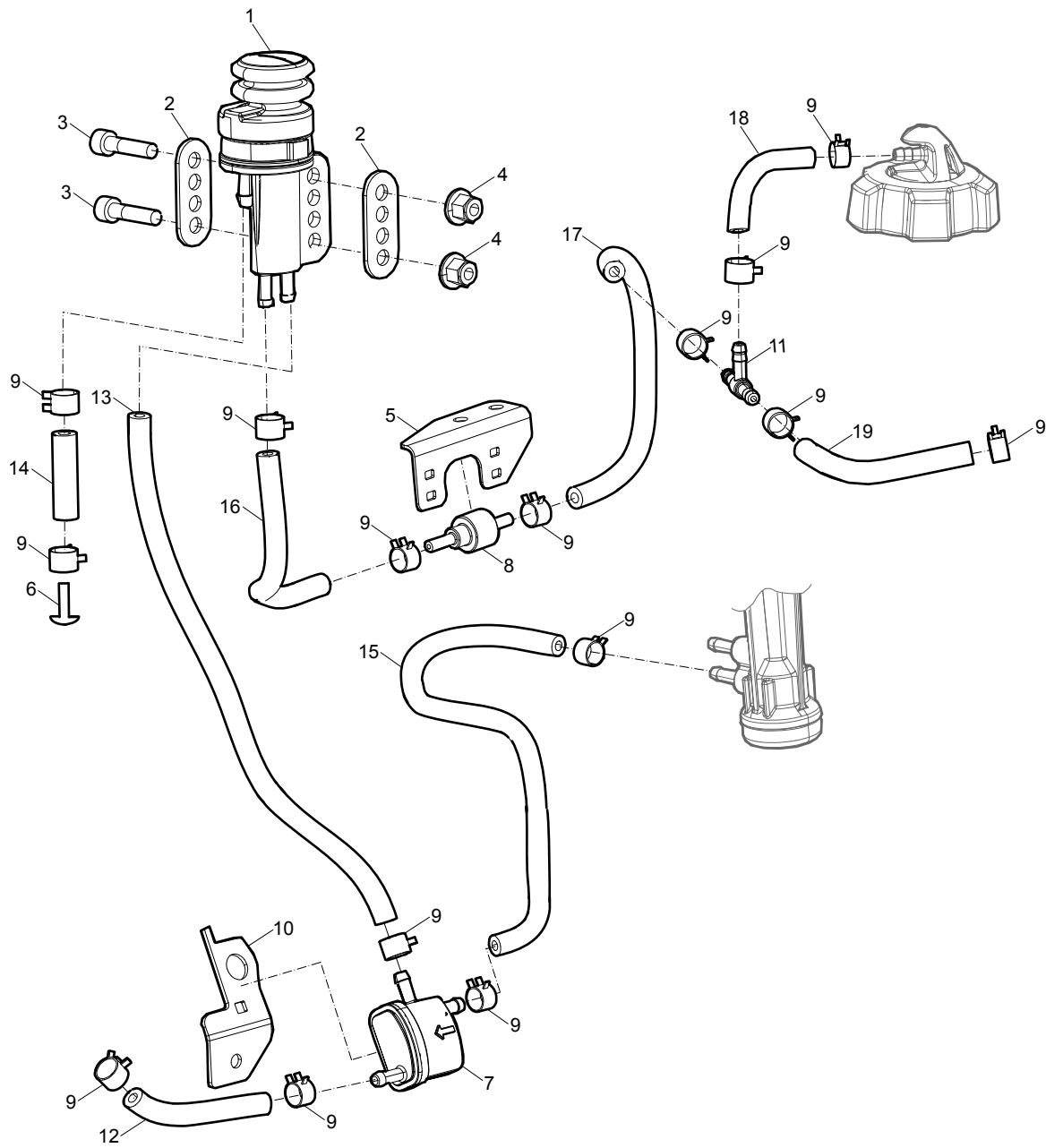


No.	Description	Remark	Quantity	Part number
1(2-47)	Fuel tank, complete		1	4700 3933 99
2	Tank		1	-
3	Eccentric stud		1	4700 3850 30
4	Positioner		1	4700 3793 83
5	Handle		1	4700 3850 24
6	Bracket		1	4700 3850 26
7	Air inlet cover		1	4700 3850 19
8	Fuel cap		1	4700 3837 18
9	Cover		1	4700 3850 17
10	Cover		1	4700 3850 13
11	Filter		1	4700 3850 38
12	Micro switch		1	4700 3840 06
13	Valve shaft		1	4700 3837 26
14	Fuel valve		1	4700 3837 24
15	Plug		1	4700 3837 20
16	Bushing		1	4700 3861 48
17	Plate		1	4700 3850 33
18	Plate		1	4700 3837 28
19	Bracket		1	4700 3850 34
20	Bracket		1	4700 3849 41
21	Plate		1	4700 3849 50
22	Plug		2	4700 7913 24
23	Hose clamp		4	4700 7915 74
24	Hose		2	4700 7926 13
25	Sealing		1	4700 7913 30
26	Sealing		2	4700 7913 29
27	Spring	1.3 x 6.5 x 25 mm 0.05 x 0.26 x 0.98 in.	1	4700 7914 98
28	Spring	1.6 x 12 x 26.5 mm 0.06 x 0.47 x 1.04 in.	2	4700 7914 99
29	O-ring	8 x 2.5 mm 0.31 x 0.10 in. FPM Viton® (60 shore)	1	4700 7913 26
30	O-ring	22 x 2.5 mm 0.87 x 0.10 in. FPM 592 Viton®	1	4700 7913 28
31	O-ring	5.3 x 2.4 mm 0.21 x 0.09 in. FPM Viton® (70 shore)	1	4700 7913 27
32	Screw	M6 x 25 mm 8.8 A2K	7	-
33	Screw	M5 x 16 mm 8.8 A2K	2	-
34	Washer	6.4 x 12 x 1.5 mm 0.25 x 0.47 x 0.06 in. 300 HV	4	-
35	Washer	5.3 x 10 x 1 mm 0.21 x 0.39 x 0.04 in. 300 HV	1	-
36	Washer	6.4 x 18 x 1.6 mm 0.25 x 0.71 x 0.06 in.	1	-
37	Plate		1	4700 3884 99
38	Retainer		1	4700 3793 84
39	Spring		1	4700 3794 04
40	Ball		1	4700 7913 25
41	Bracket		1	4700 3908 03
42	Cover		1	4700 3908 04
43	Fuel filter		1	4700 3952 38
44	O-ring	43 x 3 mm 1.69 x 0.12 in. FPM 80 Viton® (90 shore)	1	4700 7925 14
45	Bushing		1	4700 3980 02
46	Washer	6 x 18 x 2 mm 0.24 x 0.71 x 0.08 in. 300 HV	1	-

No.	Description	Remark	Quantity	Part number
47	Nut	M6 DIN985	1	-

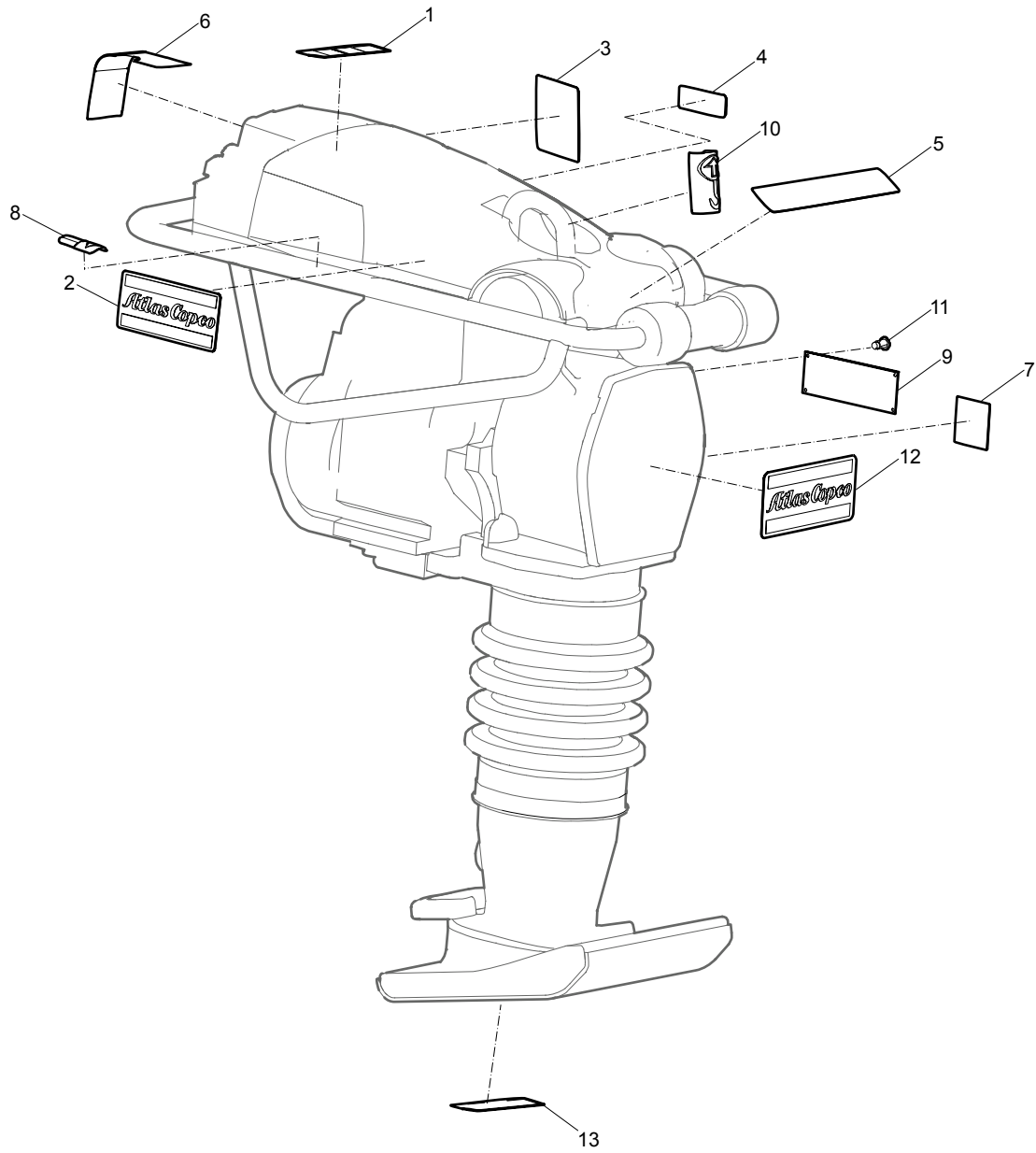
Viton is a registered trademark of DuPont Performance Elastomers LLC.

Fuel system



No.	Description	Remark	Quantity	Part number
1	Valve		1	4812 0702 08
2	Washer		2	4700 3974 94
3	Screw	M6 x 25 mm 8.8 A2K	2	-
4	Nut	M6 x 1 mm A2K	2	-
5	Bracket		1	4812 0703 67
6	Rivet	5 x 16 mm 0.20 x 0.63 in.	1	4811 0001 70
7	Adapter		1	4700 3905 65
8	Check valve		1	3382 0108 91
9	Hose clamp	10.2 x 8 mm 0.40 x 0.31 in.	15	4700 7915 74
10	Bracket		1	4812 0700 41
11	Connection		1	4700 9455 47
12	Fuel hose	70 mm 2.76 in. Sold per meter	1	4700 7926 13
13	Fuel hose	350 mm 13.80 in. Sold per meter	1	4700 7926 13
14	Fuel hose	35 mm 1.38 in. Sold per meter	1	4700 7926 13
15	Fuel hose	365 mm 14.37 in. Sold per meter	1	4700 7926 13
16	Fuel hose	180 mm 7.09 in. Sold per meter	1	4700 7926 13
17	Fuel hose	180 mm 7.09 in. Sold per meter	1	4700 7926 13
18	Fuel hose	150 mm 5.91 in. Sold per meter	1	4700 7926 13
19	Fuel hose	100 mm 3.94 in. Sold per meter	1	4700 7926 13

Labels



No.	Description	Remark	Quantity	Part number
1	Label	Start instruction	1	4812 0703 65
2	Product label	"Atlas Copco"	2	3382 0100 39
3	Label	Choke	1	4812 0702 39
4	Label	Choke	1	4700 3778 62
5	Product label	"LT5004"	1	3382 0100 37
6	Label	Start/Operating/Stop	1	4700 3854 95
7	Label	Sound power level	1	4700 7912 94
8	Safety label	Hot surfaces	1	4700 9043 66
9	Data plate		1	-
10	Label	Lifting point	2	4700 3575 87
11	Screw	KDS 2 x 5 mm	4	-
12	Product label	"Atlas Copco"	1	3382 0100 38
13	Safety label	Compressed spring package	1	4700 3771 25

Kits

One year service kit

One year service kit

Part number 4812 1555 56

Description	Remark	Quantity	Part number
Spark plug		1	4700 9389 34
Air filter		5	4700 3773 28
Gasket		1	4700 9384 77
Starter rope		1	4700 9389 79
Fuel filter		2	4700 3952 38

Shock absorber repair kit

Description	Remark	Quantity	Part number
Shock absorber repair kit		1	4812 1552 81
Nut	M8 x 1.25 mm A2K	8	-
Screw	M8 x 20 mm 8.8 A2K	4	-
Screw	M8 x 25 mm 8.8 A2K	4	-
Shock absorber		2	4700 3867 85
Cylindrical pin		4	4700 7913 23

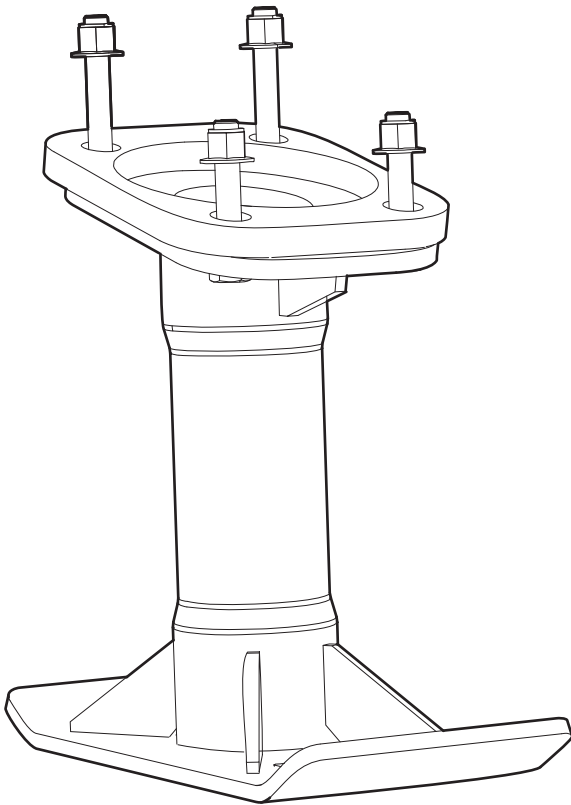
Transmission repair kit

Description	Remark	Quantity	Part number
Transmission repair kit		1	4812 1552 83
Needle roller bearing		1	4700 9049 50
Deep groove ball bearing		1	4700 1110 78
Retaining ring for shaft		1	4700 1500 09
Needle roller bearing		1	4700 9049 49
Retaining ring for shaft		2	4700 1500 14
Deep groove ball bearing		2	4700 9035 20
Retaining ring for hole		2	4700 1510 25
Radial lip-type seal		1	4700 9049 52
Nut	M12 x 1.25 mm A3K	1	-
O-ring	210 x 3 mm 8.27 x 0.12 in. (70 shore)	1	4700 1601 06
Screw	M10 x 25 mm 8.8 A3K	4	-
O-ring	104.5 x 3 mm 4.11 x 0.12 in. (70 shore)	1	4700 1600 35
Washer	10.5 x 22 x 2 mm 0.41 x 0.87 x 0.08 in. 300 HV	4	-
Screw	M10 x 35 mm 8.8 A3K	4	-
Washer	8.4 x 26 x 3 mm 0.33 x 1.02 x 0.12 in.	1	-
Screw	M8 x 25 mm 8.8 A2K	1	-

Spring unit repair kit

Description	Remark	Quantity	Part number
Spring unit repair kit		1	4812 1556 73
Spring		1	4700 3850 62
Spring		1	4700 3850 61
Stop		1	4700 3850 86
Stop		1	4700 3850 85
Screw	M8 x 50 mm 8.8 A2K	6	-
Gasket		1	4700 3851 68
O-ring	119.5 x 3 mm 4.70 x 0.12 in. (70 shore)	1	4700 1600 38
Washer	8.7 x 14 x 1 mm 0.32 x 0.04 in. Type A	1	4700 1620 09
Washer	27 x 32 x 2 mm 1.06 x 1.26 x 0.08 in.	1	-

Extended foot kit



Description	Remark	Quantity	Part number
Extended foot kit		1	4700 3771 27
Foot		1	-
Screw	M12 x 90 mm 10.9 GEOMET®	2	-
Screw	M12 x 70 mm 10.9 GEOMET®	2	-
Nut	M12	4	-
Washer	13 x 24 x 2 mm 0.51 x 0.98 x 0.08 in. 300 HV	4	-
Label	Direction	1	-

GEOMET is a registered trademark of Nof Metal Coatings North America Inc.

Foot 150 mm (6 in.) repair kit

Description	Remark	Quantity	Part number
Foot 150 mm (6 in.) repair kit		1	4700 9502 98
Ground plate	150 mm 6 in.	1	4700 3850 91
Foot	150 mm 6 in.	1	4700 3850 88
Screw	M12 x 100 mm 10.9 GEOMET®	2	4700 7910 85
Screw	M12 x 150 mm 10.9 GEOMET®	2	4700 7913 39
Washer	8.4 x 22 x 3 mm 0.33 x 0.87 x 0.12 in. HV300	4	-
Nut	M8 x 1.25 mm A2K	4	-
Screw	M8 x 50 mm 8.8 NYLOK BLUE PATCH™ (Known as TUF-LOK® in Europe)	4	4700 7913 31
Nut	M8 x 1.25 mm A2K	4	-

GEOMET is a registered trademark of Nof Metal Coatings North America Inc.

NYLOK BLUE PATCH is a trademark of Nylok Corporation. TUF-LOK is a registered trademark of Nylok Corporation in Europe.

Foot 230 mm (9 in.) repair kit

Description	Remark	Quantity	Part number
Foot 230 mm (9 in.) repair kit		1	4700 9503 40
Ground plate	230 mm 9 in.	1	4700 3851 66
Foot	230 mm 9 in.	1	4700 3851 65
Screw	M12 x 100 mm 10.9 GEOMET®	2	4700 7910 85
Screw	M12 x 150 mm 10.9 GEOMET®	2	4700 7913 39
Washer	8.4 x 22 x 3 mm 0.33 x 0.87 x 0.12 in. HV300	8	-
Nut	M8 x 1.25 mm A2K	8	-
Screw	M8 x 50 mm 8.8 NYLOK BLUE PATCH™ (Known as TUF-LOK® in Europe)	8	4700 7913 31
Nut	M8 x 1.25 mm A2K	4	-

GEOMET is a registered trademark of Nof Metal Coatings North America Inc.

NYLOK BLUE PATCH is a trademark of Nylok Corporation. TUF-LOK is a registered trademark of Nylok Corporation in Europe.



Any unauthorized use or copying of the contents or any part thereof is prohibited.
This applies in particular to trademarks, model denominations, part numbers, and drawings.

© 2012 Atlas Copco Construction Tools AB | No. 9800 1142 01c | 2012-09-06

www.atlascopco.com